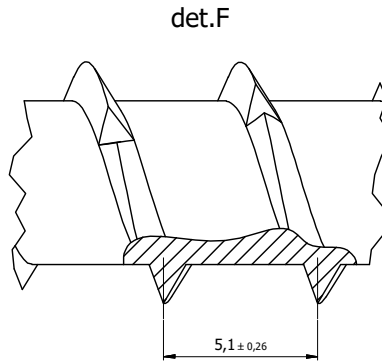
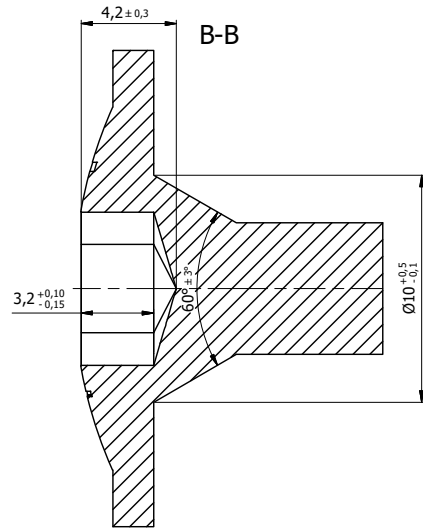
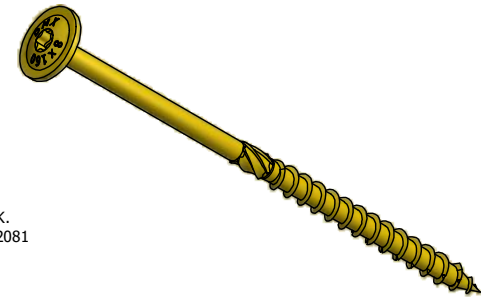
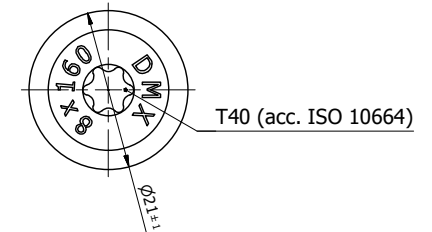
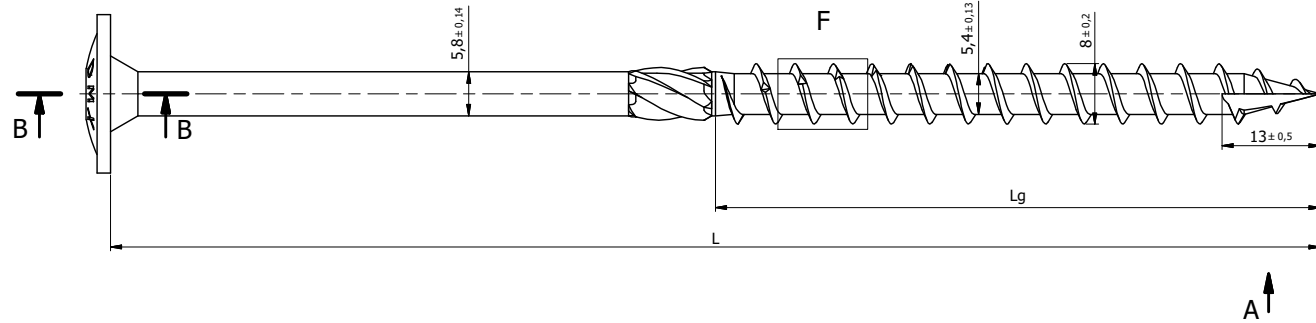
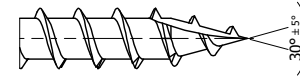


This document is the absolute property of DOMAX Sp. z o.o. This document must not be copied without the written permission of DOMAX Sp. z o.o. The contents thereof must not be disclosed to a third party nor be used for any unauthorized purpose. Contravention will be prosecuted.

Rev	Explanation	Date	Revised by	Approved by



View A



Note:
 1. General tolerances EN 22768 mK.
 2. Surface Fe/Zn 12c acc. EN ISO 2081

Index	Name	L [mm]	Tolerance	Lg [mm]	Tolerance	Surface [cm ²]	Weight [g]
320806	CT 08060	60	+/-1	36	+/-1	21,3	17
320807	CT 08070	70	+/-1	40	+/-1	23,4	19
320809	CT 08090	90	+/-1	50	+/-1	27,8	23,2

-	Rod	-	Ø5,8	10B21	-	-
Item	Identification	Amt.	Specification	Raw material	Surface [dm ²]	Weight [kg]
Design	K. Rytlewski	Checked	Approved	Code	CT-F	
Drawn	K. Rytlewski					Sheet
Index	03.02.2017	Date				1/1
domax		Screw CT-F 8				Rev
DOMAX Sp. z o.o.		CT-F 8				